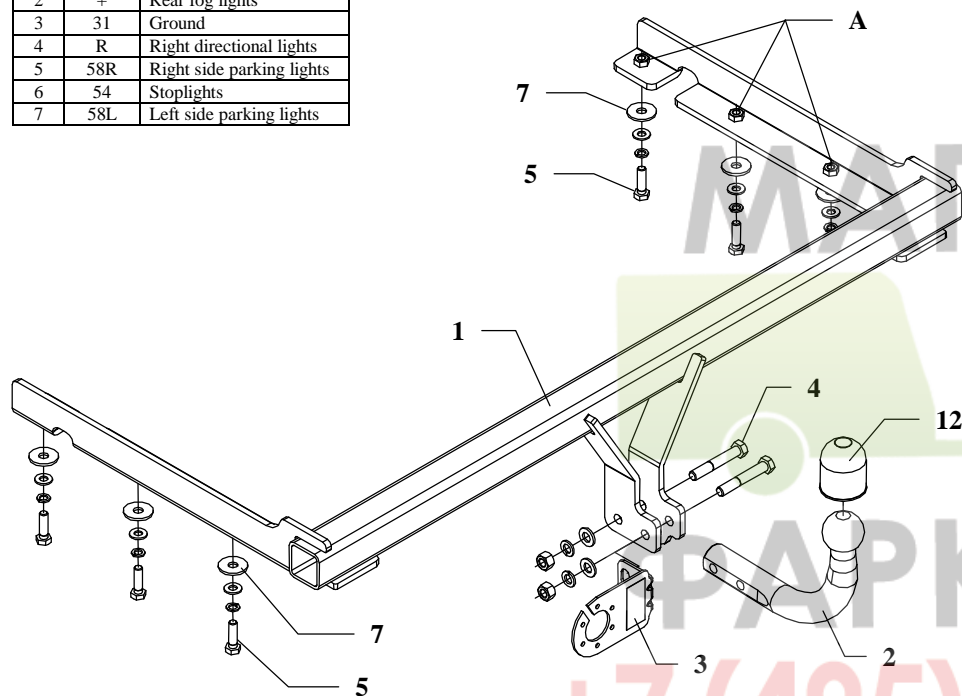


FITTING INSTRUCTION

Clamp mark in acc. with		Cables joining
ISO	PN	
1	L	Left directional lights
2	+	Rear fog lights
3	31	Ground
4	R	Right directional lights
5	58R	Right side parking lights
6	54	Stoplights
7	58L	Left side parking lights



The instruction of the assembly

1. Disassemble the bumper, metal reinforcement (not used any more) and thermal shield.
2. Put main bar of the towbar to the chassis member in this way, so holes of the towbar (pos. A) agree with holes in members and fix using bolts M10x35mm (pos. 5).
3. Reassemble the bumper after cut out its fragment according to fig. 2.
4. Reassemble thermal shield.
5. Fix tow-ball (pos. 2) with socket plate (pos. 3) using bolts M12x75mm (pos. 4) from accessories.
6. Tighten all bolts according to the torque shown in the table.
7. Connect electric wires of 7-poles socket according to the instruction of the car. (Recommend to make at authorized service station).
8. Complete paint layer damaged during installation.

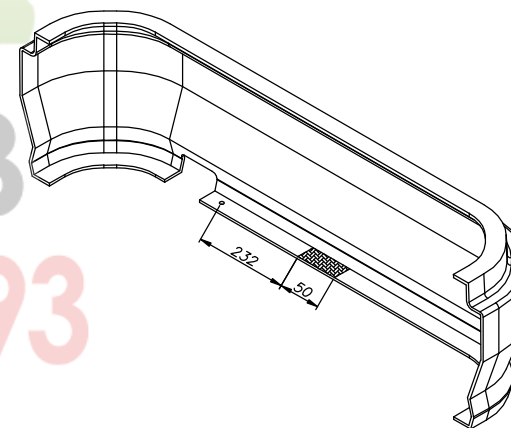


Fig. 2

This towbar is designed to assembly in following cars:
HONDA STREAM 5 doors, VAN, produced since 2001 till 2006,
 catalogue number **Y26** and is prepared to tow trailers max total weight
1400 kg and max vertical load **60 kg**.

From manufacturer

Thank you for buying our product. Their reliability has been confirmed in many tests. Reliability of towbar depends also on correct assembly and right operation. For this reasons we kindly ask to read carefully this instruction and apply to hints.

The towbar should be install in points described by a car producer.

Torque settings for nuts and bolts (8,8):

M6 - 11 Nm	M8 - 25 Nm	M10 - 50 Nm
M12 - 87 Nm	M14 - 138 Nm	M16 - 210 Nm

NOTE

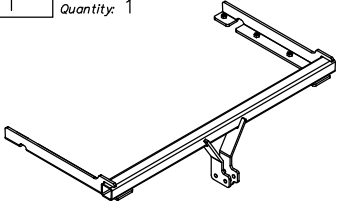
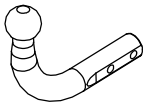

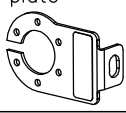
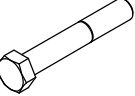
After install the towbar you should get adequate note in registration book (at authorised service station).The car should be equipped with:

- Indicators
- Tow mirrors

After 1000km of exploitation check all bolts. The ball of towbar must be always kept clear and conserve with a grease.



Towbar accessories:

Pos. 1 Name: Main bar Quantity: 1	Pos. 5 Name: Bolt 8,8 B Quantity: 6 Dim.: M10x35mm	Pos. 10 Name: Spring washer Quantity: 2 Dim.: Ø 12,2 mm
	Pos. 6 Name: Nut 8 B Quantity: 2 Dim.: M12	Pos. 11 Name: Spring washer Quantity: 6 Dim.: Ø 10,2 mm
Pos. 2 Name: Tow ball Quantity: 1	Pos. 7 Name: Washer Quantity: 6 Dim.: Ø35xØ12x3mm	Pos. 12 Name: Ball cover Quantity: 1
	Pos. 8 Name: Plain washer Quantity: 2 Dim.: Ø 13 mm	
Pos. 3 Name: Socket plate Quantity: 1	Pos. 9 Name: Plain washer Quantity: 6 Dim.: Ø 10,5 mm	
	Pos. 4 Name: Bolt 8,8 B Quantity: 2 Dim.: M12x75mm	
		

Towing hitch (without electrical set)

Class: **A50-X** Cat. no. **Y26**

Designed for:
Manufacturer: **HONDA**
Model: **STREAM**
Type: **5 doors, VAN**
produced since 2001 till 2005

Technical data:
D-value: 8,2 kN
maximum trailer weight: **1400 kg**
maximum vertical cup load: **60 kg**

Approval number according to Directive 94/20/EC: **e20*94/20*0559*00**

+7 (495) 6-693-693

Foreword

This towbar is designed according to rules of safety traffic regulations. The towing hitch is a safety component and can be install only by qualified personnel. Any alteration or conversion of the towing hitch is prohibited and would lead to cancellation of design certification. Remove insulating compound and underseal from vehicle (if present) in the area of the matting surfaces of the towing hitch. The vehicle manufacturer's specifications regarding trailer load and max. vertical cup load are decisive for driving whereat values for the towing hitch cannot be exceeded.

D-value formula:

$$\frac{\text{Max trailer weight [kg]} \times \text{Max vehicle weight [kg]}}{\text{Max trailer weight [kg]} + \text{Max vehicle weight [kg]}} \times \frac{9,81}{1000} = D \text{ [kN]}$$